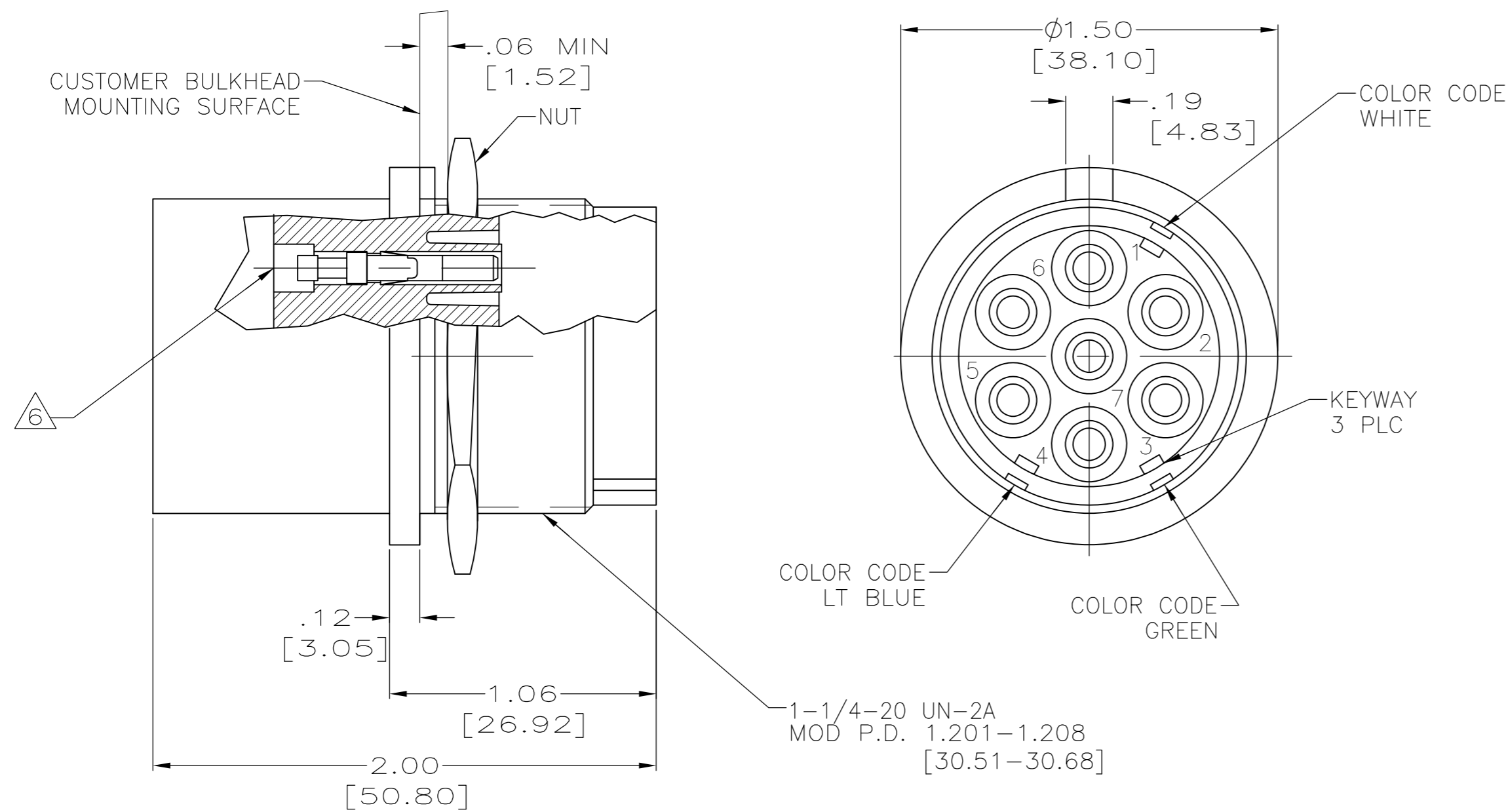
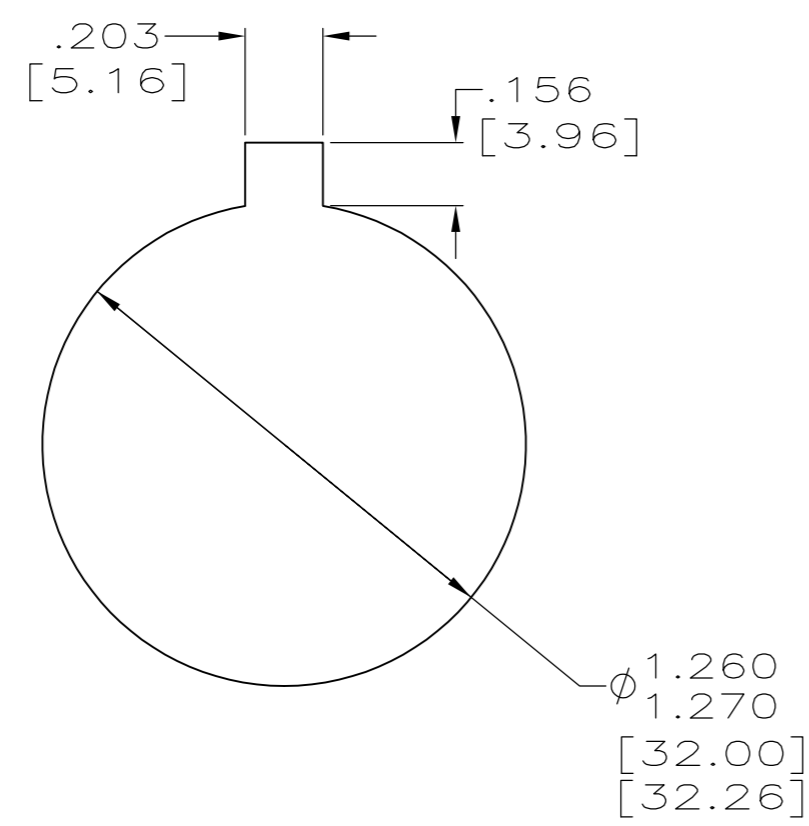


THIS DRAWING IS UNPUBLISHED. RELEASED FOR PUBLICATION  
 © COPYRIGHT - By - ALL RIGHTS RESERVED.

| LOC |     | DIST                      |         | REVISIONS |      |  |  |
|-----|-----|---------------------------|---------|-----------|------|--|--|
| P   | LTR | DESCRIPTION               | DATE    | DWN       | APVD |  |  |
|     | H2  | REVISED PER ECO-15-013197 | 16OCT15 | KG        | DM   |  |  |



- SEVEN CONTACT CAVITIES ACCEPT TYPE II, SIZE 16 SOCKETS AND COAX CONTACTS AS SHOWN IN TABLE. EXTRACTION TOOL PART NUMBER IS 861751-1.
  - TYPE II SOCKETS TO ACCEPT 22 AWG - 24 AWG STRANDED WIRE. SOCKETS GOLD PLATED PER MIL-G-45204 TYPE II .000050 MIN THK.
  - RECEPTACLE WILL WITHSTAND WITHOUT BREAKDOWN, 27 KVDC PIN TO PIN & 27 KVDC PIN TO GRD WHEN MATED WITH 861648-1.
  - TYPE II SOCKETS TO ACCEPT ONE 16 AWG OR ONE 18 AWG STRANDED WIRE.
  - TYPE II SOCKETS TO ACCEPT 14 AWG STRANDED WIRE.
  - CUSTOMER TO ATTACH LEADS & PROTECT AGAINST ARC OVER & BREAKDOWN BY POTTING. SOCKETS TO BE COATED WITH RTV108
- △7 CRIMP CONTACTS PER TE 408-7516 AS SPECIFIED FOR EACH CONTACT PART NUMBER.



RECOMMENDED PANEL CUTOUT

| CRIMP CONTACT PART NUMBER | COLOR CODING | WIRE SIZE RANGE | PART NUMBER |
|---------------------------|--------------|-----------------|-------------|
| 201568-1                  | NO           | 14              | 861647-9    |
| 200333-1                  | NO           | 16,18           | 861647-8    |
| 201328-1                  | NO           | 20,22,24        | 861647-7    |
| -                         | YES          | NO SOCKETS      | 861647-6    |
| -                         | YES          | 14              | 861647-5    |
| -                         | YES          | 20-24 & COAX    | 861647-4    |
| 201328-1                  | YES          | 20-24 & COAX    | 861647-3    |
| 200333-1                  | YES          | 16,18           | 861647-2    |
| 201328-1                  | YES          | 20,22,24        | 861647-1    |

THIS DRAWING IS A CONTROLLED DOCUMENT.

|                         |  |                          |   |
|-------------------------|--|--------------------------|---|
| DIMENSIONS: INCHES [mm] | TOLERANCES UNLESS OTHERWISE SPECIFIED: | DWN T. THOMPSON 03-22-95 |   |
|                         |  | CHK D. EABY 04-19-95     |   |
|                         |  | APVD D. EABY 04-19-95    |   |
|                         |  | PRODUCT SPEC             |   |
|                         |  | APPLICATION SPEC         | NAME RECEPTACLE, FLANGED H.V. 7 CONTACT, LGH                |
| MATERIAL MOLDED PLASTIC | FINISH BLACK                           | WEIGHT -                 | SIZE A2 CAGE CODE 00779 DRAWING NO C-861647 RESTRICTED TO - |
|                         |  | CUSTOMER DRAWING         | SCALE 2:1 SHEET 1 of 1 REV H2                               |